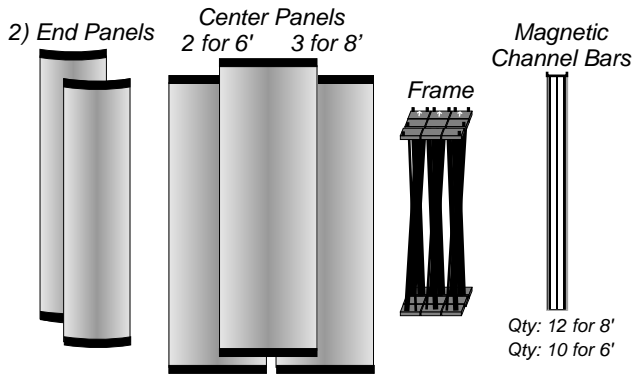




Set Up Instructions For All TABLE TOP Pop Up Models (8' Wide model shown)

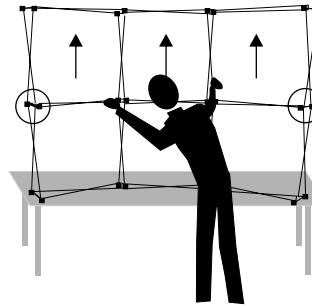


Quick Directions

- 1 - Place frame on floor or table (for table top models) and expand frame upward - secure frame with locking bars
- 2 - Install magnetic channel bars
- 3 - Magnetically attach Center Panels then End Caps

1

Expand frame upward until **MAGNETIC LOCKING BARS** make contact, this will hold the frame in place to install the magnetic channel bars in step 2.



8' table top frame shown above

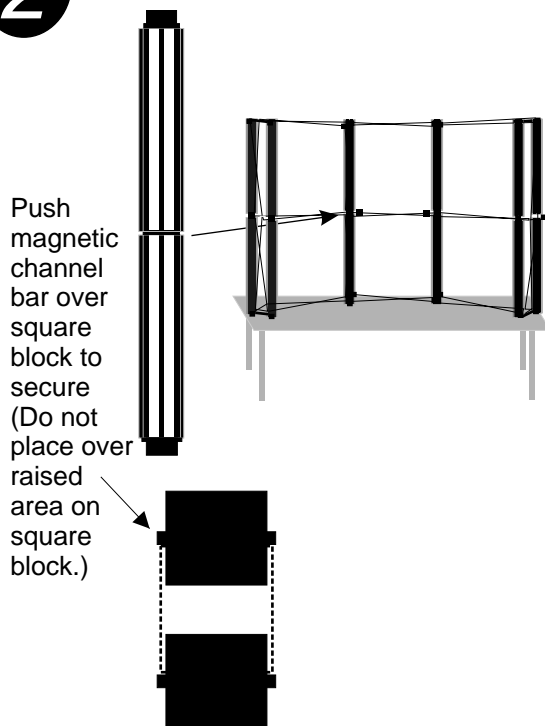
*Magnetic locking bars

*The quantity and location of Magnetic Locking Bars will vary depending on size of display frame

To release the Magnetic Locking Bars place one hand on each side of locking bar and in a quick motion pull apart. Be sure all Magnetic Bars are release before attempting to lower frame.

2

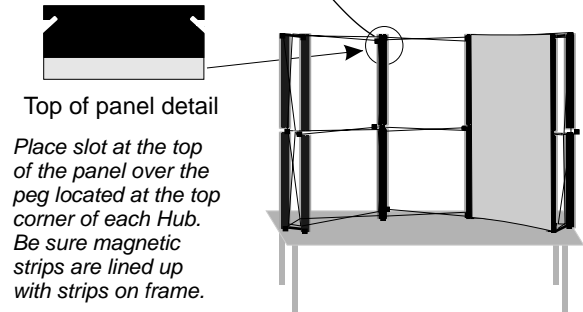
Channel Bar Installation



3

Hub block

Panel Installation



CAUTION

Store all components at room temperature before set up. Make sure to disengage locking bars **before** collapsing frame for storage or damage could occur. Do not roll fabric panels smaller than 10" in diameter.

*Note: Display shown is 8' Table Model.

