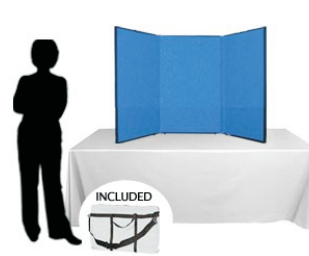


Congratulations on the purchase of your Promoter36™ Display.

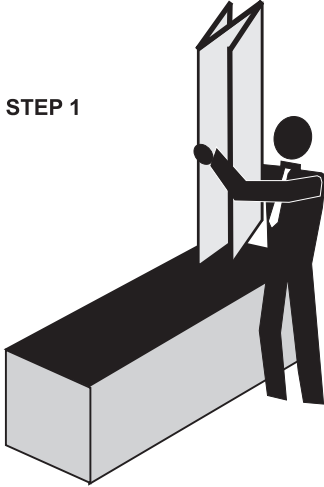
Parts List:
 1 - Promoter36 Display
 1 - Canvas Carry Bag

Instructions for Items:
 #TT3-36 - all kits
 #TT4-36 - all kits



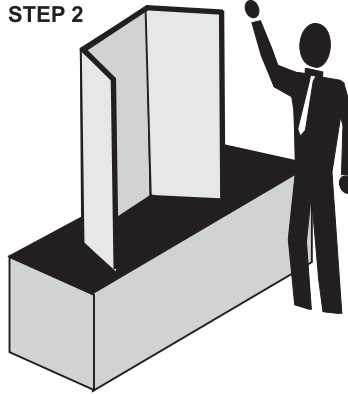
Basic Assembly Instructions

STEP 1



Remove table top display from carry bag and begin to unfold the panels of the display (with the feet down).

STEP 2



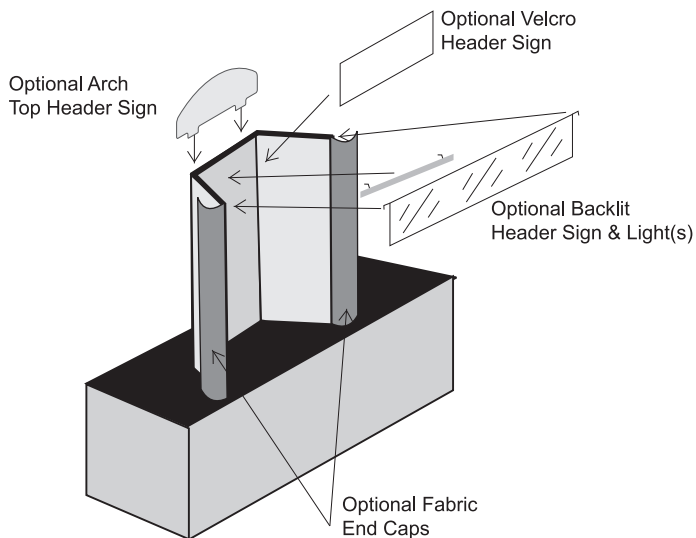
While holding the table top display, position the unit where desired on the table.

Disassembly Instructions:
 Fold panels back together in a Z-shaped pattern, and lay flat.

Storage:
 Store in cardboard one-way shipper box, optional canvas carry bag or optional shipping case with wheels.

Care Instructions:
 Spot clean with a damp cloth.

Optional Items Instructions



OPTIONAL ARCH TOP HEADER SIGN

Install Arched Top Header by lining up the feet on the bottom of the sign, then by pushing the sign into the slots in the top of the display.

OPTIONAL VELCRO HEADER SIGN

Unroll velcro header and place on center panel and press lightly. Velcro on the sign will adhere to the fabric on the display.

OPTIONAL BACKLIT HEADER SIGN

Install light bars by hanging the channel base over the top edge of the display panel. Install the header by hooking the tabs at each end of the header over the top edge of the outer panels. Adjust the angle of the panels so the header hangs towards the front of the display.

OPTIONAL GRAPHIC PANELS

Lay display flat on table. Place graphic panels Velcro side down on the display's fabric panels. Press lightly on graphics for velcro to adhere to the fabric on the display.

OPTIONAL FABRIC END CAPS

Set up on display end panels last. Ensure display is positioned on table where you want it to stay for the duration of your event. Spring back to open each clear clip and slide onto end panel over the black exterior framing. Repeat for side 2.

Warranty Information

All Promoter36 displays are covered by our Lifetime Guarantee to be free of defects in material and workmanship. It does not cover damage due to abuse, accidents or normal wear and tear. Products found to be defective will be replaced or repaired at the factory's discretion.



affordable
exhibit
 displays inc

307 Route 202, Greene, ME 04236
 1.800.723.2050 1.207.782.6175
www.AffordableDisplays.com