

Formulate Designer Series 20' Backwall - Kit 12

FMLT-DS-20-12

Formulate® Designer Series 20ft displays have unique stylistic features and shapes, are portable and easy to assemble. The aluminum tube frame features snap-buttons and/ or spigot connections and zipper pillowcase fabric graphics. All displays come in portable, wheeled transit cases. Simply pull the pillowcase fabric graphic(s) over the frame and zip.



We are continually improving and modifying our product range and reserve the right to vary the specifications without prior notice. All dimensions and weights quoted are approximate and we accept no responsibility for variance. E&OE. See Graphic Templates for graphic bleed specifications.

features and benefits:

- Premium aluminum tube frames with snap button/ spigot assembly
- Easy to store and ship
- Quick to set up
- Weighted feet for added stability
- Three zipper pillowcase fabric graphics
- Two Lumina LED spot lights
- Kit includes: 2 medium monitor mounts, can hold 32-55" monitor/ max weight 40lbs
- Lifetime limited hardware warranty against manufacturer defects

dimensions:

Hardware

Graphic

Assembled unit:
232.06" w x 95.73" h x 33.67" d
5894mm(w) x 2432mm(h) x 855mm(d)

Approximate weight with cases:
306 lbs / 138.8 kgs

Refer to related graphic template for more information.

Visit:
www.exhibitors-handbook.com/graphic-templates

Shipping

Packing case(s):
2 OCE Cases
2 OCL Cases

Shipping dimensions:

OCE: Expandable case length (l) may vary
40" - 66" l x 18" h x 18" d
1016mm-1677mm(l) x 458mm(h) x 458mm(d)

OCL:
57" l x 19" h x 19" d
1448mm(l) x 483mm(h) x 483mm(d)

Approximate total shipping weight
(includes cases & graphics):
334 lbs / 151.5 kgs

additional information:

Graphic material:
dye-sublimation zipper pillowcase fabric

Frame A, B and C stand independently of one another, no connection hardware required.

affordable
exhibit
displays inc

Included In Your Kit

Tools, Components, & Connectors



HEX KEY SET x1



TC-30-90T x6



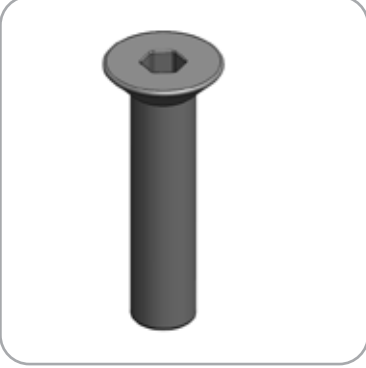
TC-30-T x4



TC-30-90B x4



PLT-BP-WVC-STD x6



LN114-SCRW x6



LUM-200-ORL-B x2

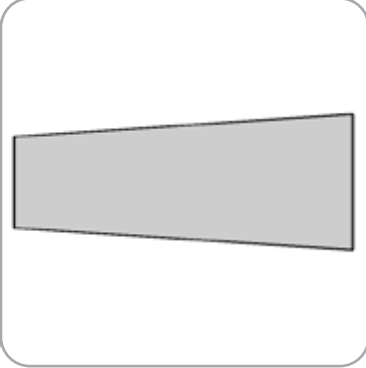


PM453-MK-M x2

Graphics



FMLT-DS-20-12-A-G x1



FMLT-DS-20-12-B-G x1



FMLT-DS-20-12-C-G x1

Included In Your Kit



DS-20-12-T1 x6



DS-20-12-B-T1 x6



DS-20-12-B-T3 x8



WV10-01-T1 x6



WV10-01-T2 x4

Tubes



WV10-01-T2-L x1



WV10-01-T2-R x1



WV10-01-T4 x1



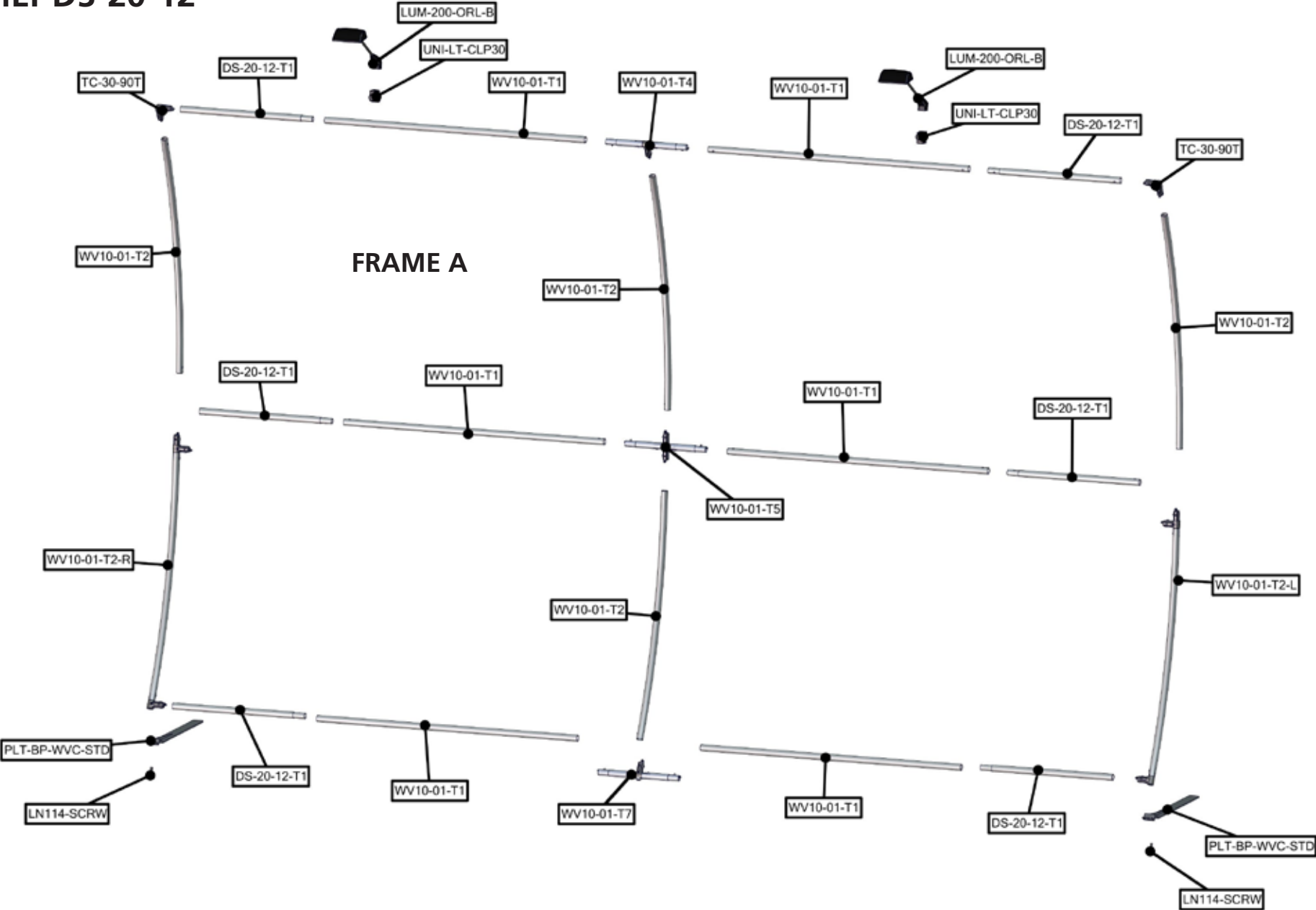
WV10-01-T5 x1



WV10-01-T7 x1

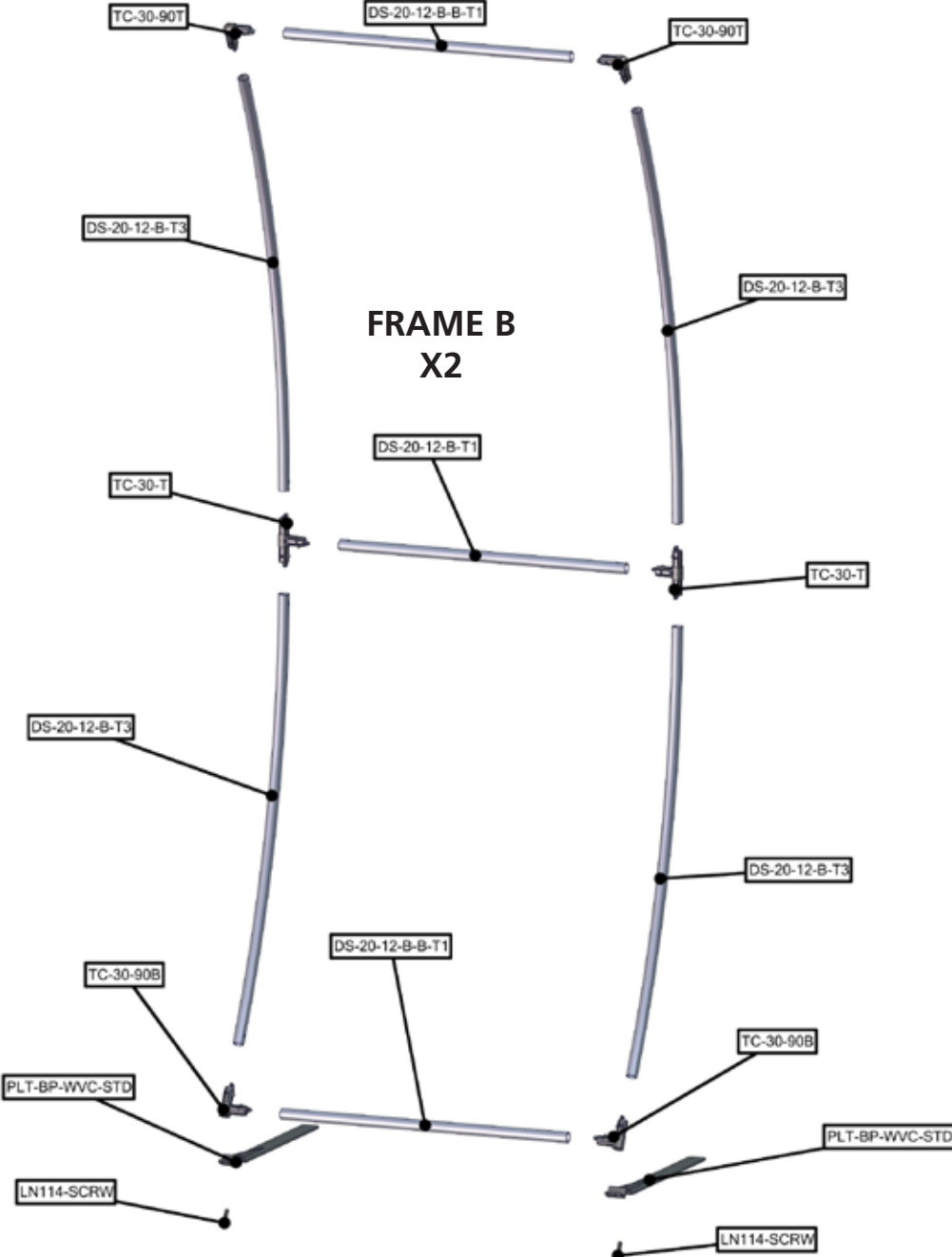
Exploded View

FMLT-DS-20-12



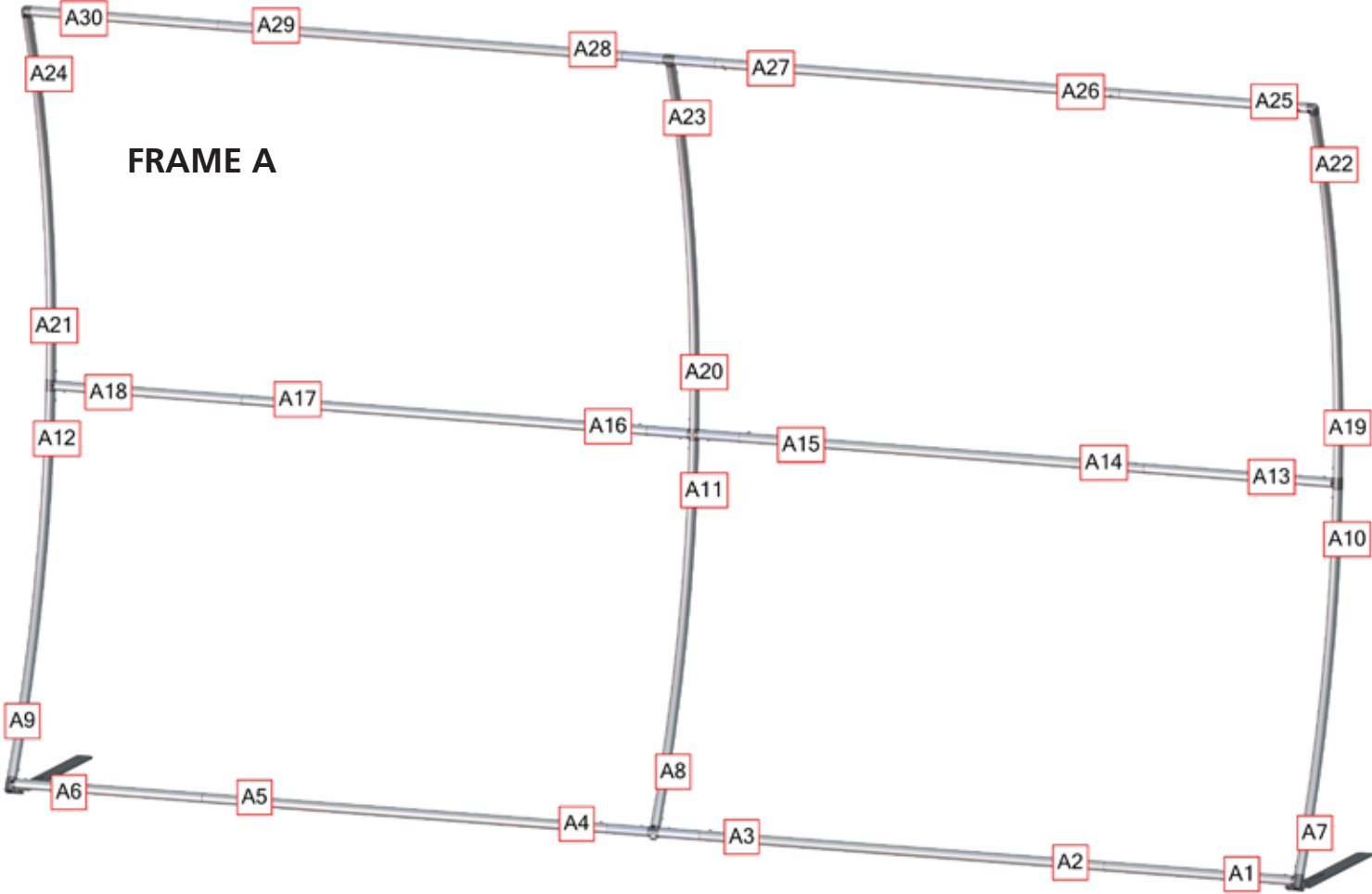
Exploded View

FMLT-DS-20-12

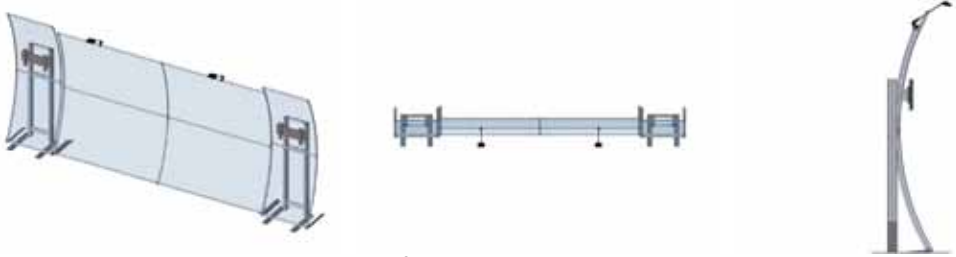


Labeling Diagram

FMLT-DS-20-12



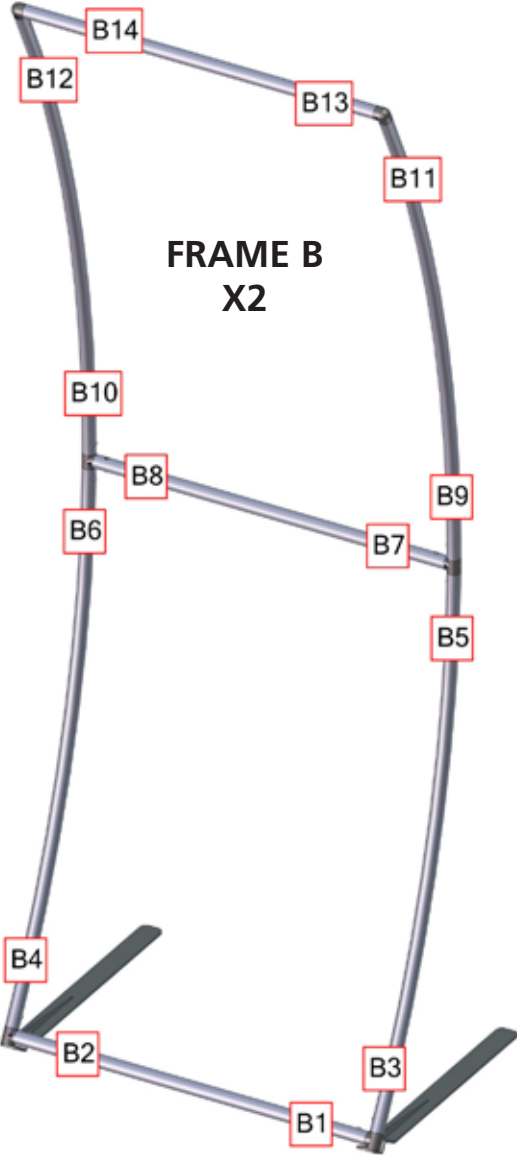
Overview



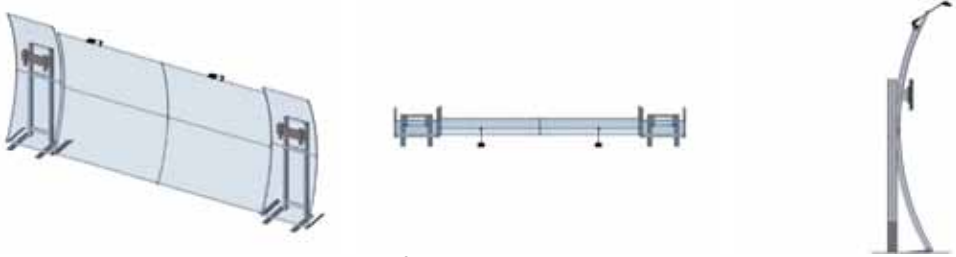
Frame A, B and C stand independently of one another, no connection hardware required.

Labeling Diagram

FMLT-DS-20-12



Overview

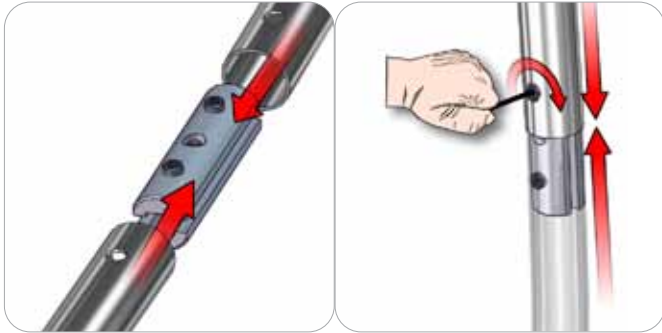


Frame A, B and C stand independently of one another, no connection hardware required.

Connection Methods

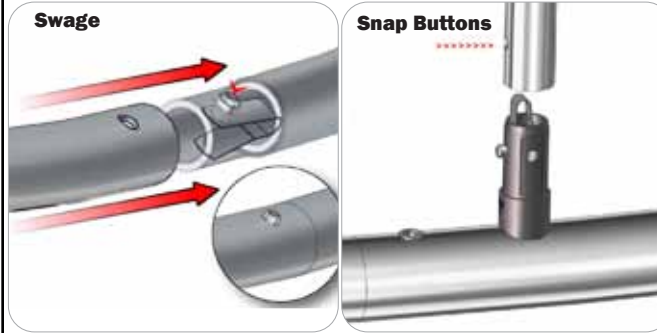
Formulate™ structures use a number of different yet simple connection methods. Your kit will include one or more of the connection methods shown below. Steps within the Kit Assembly will reference a specific method for each connection point.

Connection Method 1: ES30 / ES50 / ES75



Compress the unlocked connector and slide one tube onto each end. Lock both screws carefully using your hex key tool. Be sure to lock securely, but do not overtighten.

Connection Method 2: Snap Buttons & Swage



Locate the snap button on the connector or swage tube. Locate the hole on the corresponding tube. Press the snap button with your thumb and slide the tube and connector together so that the snap button snaps fully into the lock hole. To disassemble, press the snap button and pull apart.

Connection Method 3: ES30-90B / ES30-I / ES30-C



Compress one unlocked end of the connector and slide it through one tube end. Compress the other end of the connector and slide the second tube on. Lock both screws carefully using your hex key tool. Be sure to lock securely, but do not overtighten.

Connection Method 4: Tube Clamps



Be sure to fully assemble all frames before using clamps. With the clamp unlocked, place one tube of the first frame into the mouth of the clamp. Place the second tube (if applicable) into the second mouth of the clamp. With both frame's tubes in the clamp, be sure to lock securely, but do not overtighten.

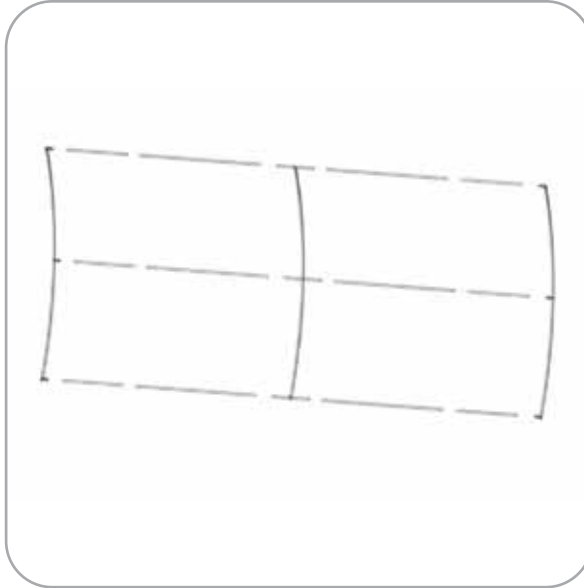
Kit Assembly

Step by Step:

Step 1.

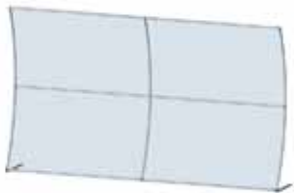
Gather the components necessary for assembling Frame A and lay them flat on the floor. Assemble in the order the Labeling Diagram instructs.

Please reference Connection Method 2 for more details.



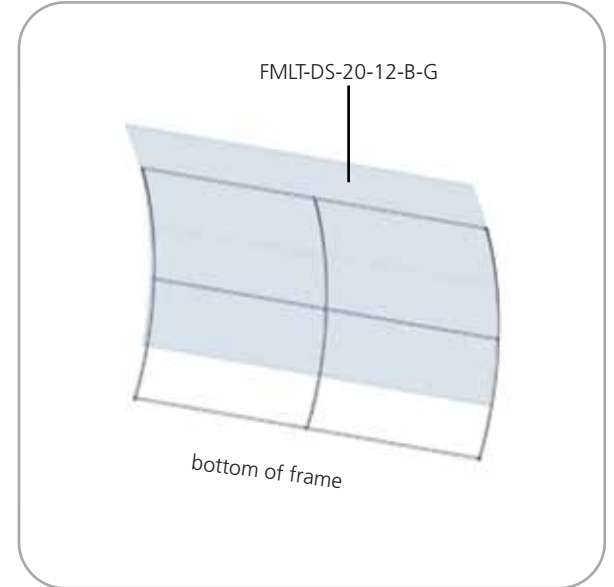
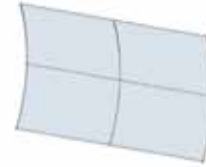
Step 3.

Attach the stabilizing bases onto Frame A as shown in the figure to the right.



Step 2.

Apply the pillowcase graphic B onto Frame A. Zipper up at the bottom of the frame.



Step 4.

Gather the components necessary for assembling Frame B and lay them flat on the floor. Assemble in the order the Labeling Diagram instructs.

Please reference Connection Method 2 for more details.



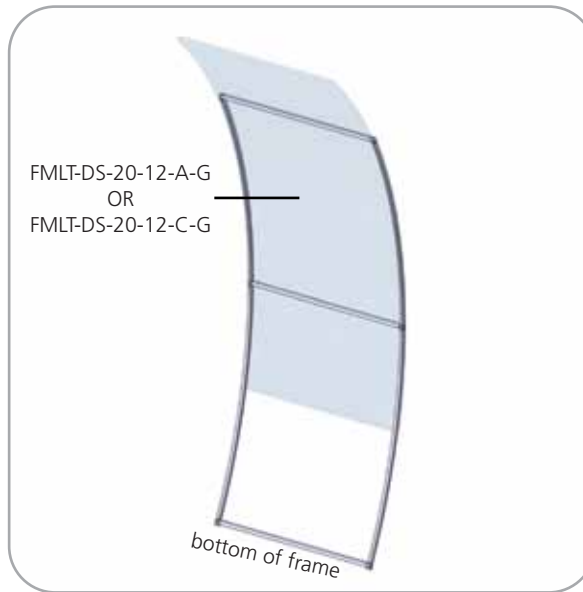
Kit Assembly

Step by Step:

Step 5.

Apply the pillowcase graphic A onto one of the Frame B's. Repeat the same step for graphic C onto the other Frame B. Zipper up at the bottom of the frame.

Note: These pillowcases will have slot cuts in them for the monitor mount kits.



Step 6.

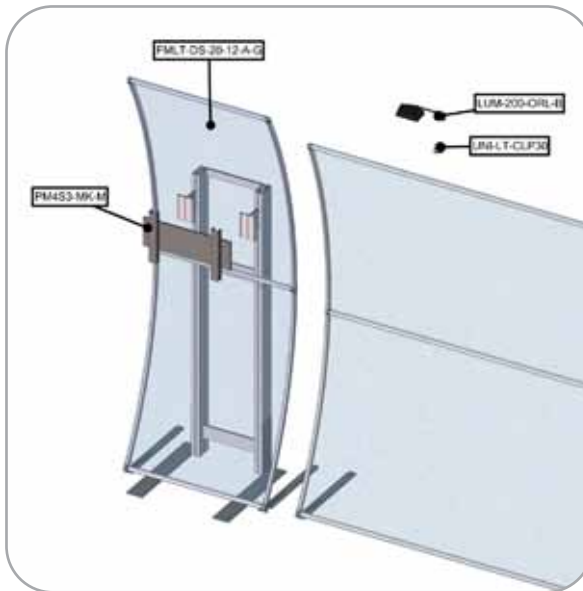
Attach the stabilizing bases onto both Frame B's with pillowcase graphics applied as shown in the figure to the right.



Step 7.

Combine pillowcase graphic A with the PM453 monitor mount kit and attach the two spot lights with tube clamps onto Frame A.

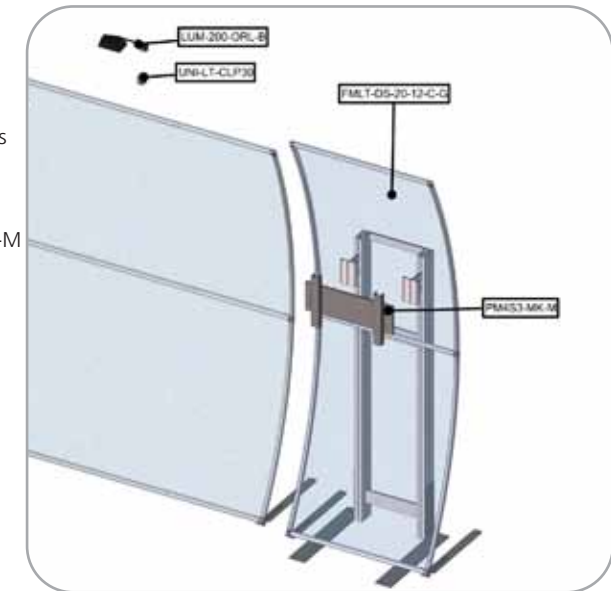
Note: Please reference the PM453-MK-M setup instructions attached for completing this step.



Step 8.

Combine pillowcase graphic C with the PM453 monitor mount kit and attach the two spot lights with tube clamps onto Frame A.

Note: Please reference the PM453-MK-M setup instructions attached for completing this step.



Your FIRST AND ONLY choice for trade show displays since 1994.

POP UP DISPLAYS



BANNER STANDS



TRADE SHOW DISPLAYS



AffordableDisplays.com

affordable
exhibit
displays inc

Partnering together to perfectly present your image.